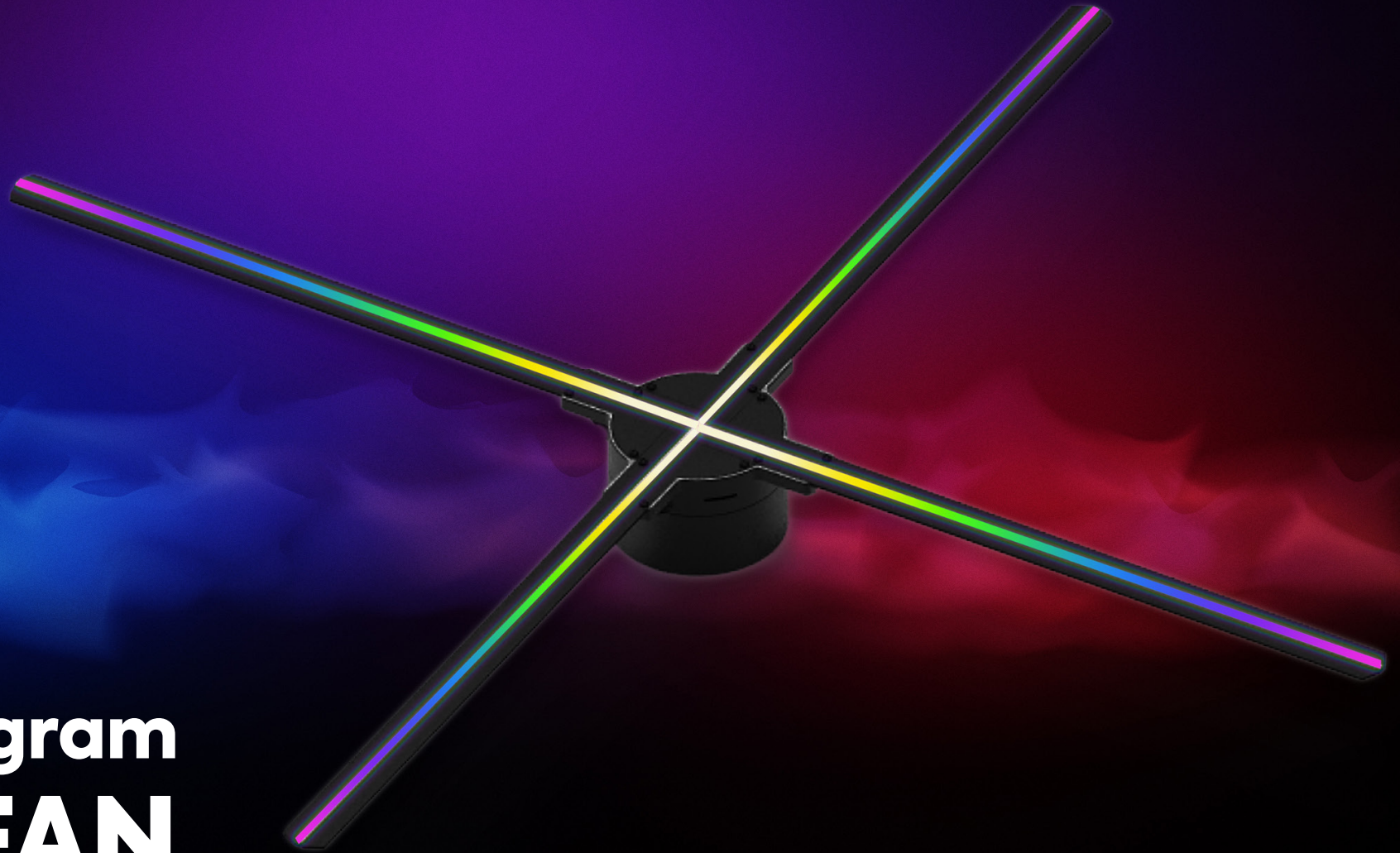


Hologram Displays

3D Hologram LED FAN



Technology Introduction



3D Holographic fan produces an illusion of 3D objects floating in the air. The fast spinning fan becomes nearly invisible to the naked eye and the projected object thus gets a see-through background. The fans are mainly intended for use in advertisement and marketing in stores, shopping malls, airports or other public areas.

Holographic fans are types of displays that produce a holographic-like image seemingly floating in the air, by having strips of RGB LEDs attached to the blades of the fan and a control-unit lighting up the pixels as the fan turns around, to produce the full picture. This will trick the observer's brain to see the image as a whole and perceive the displayed object floating in the air as the observer can see through the fast spinning display.



NEXT-GENERATION EYE-CATCHER

3D Holographic LED Fan Display designed to be used as a digital advertising platform. Our LED fan display consists of four fan blades with many tiny bright LEDs that are built into the fan blades. The LED Fan is ideal in high traffic zones such as in retail, POS, and exhibition areas where brands and marketers want to capture their audience and stand out from the advertising clutter. The LED hologram fans are made to run for the full day in normal ambient room lighting environments.

The 3D hologram fan display make use of an optical illusion type technique to create a video in the air called POV (Persistence of Vision). Our 3D hologram LED fan was born - the "screen-less", simple to install, operate and cost-effective. The magic happens once the switch is flipped on, 3D visuals appear to float in the air. Ensuring your content stands out in the marketing clutter and grabs the attention of the crowd and all passer-by's. Draw lingering crowds, perfect advertising solutions to businesses, for advertising, retail stores, shop fronts, exhibition, coffee shops, product launch, product promotion, etc.



MORE USAGE SCENARIOS



Shopping
Malls

Retailing
Stores

Exhibitions
& Trade
Shows

Museums

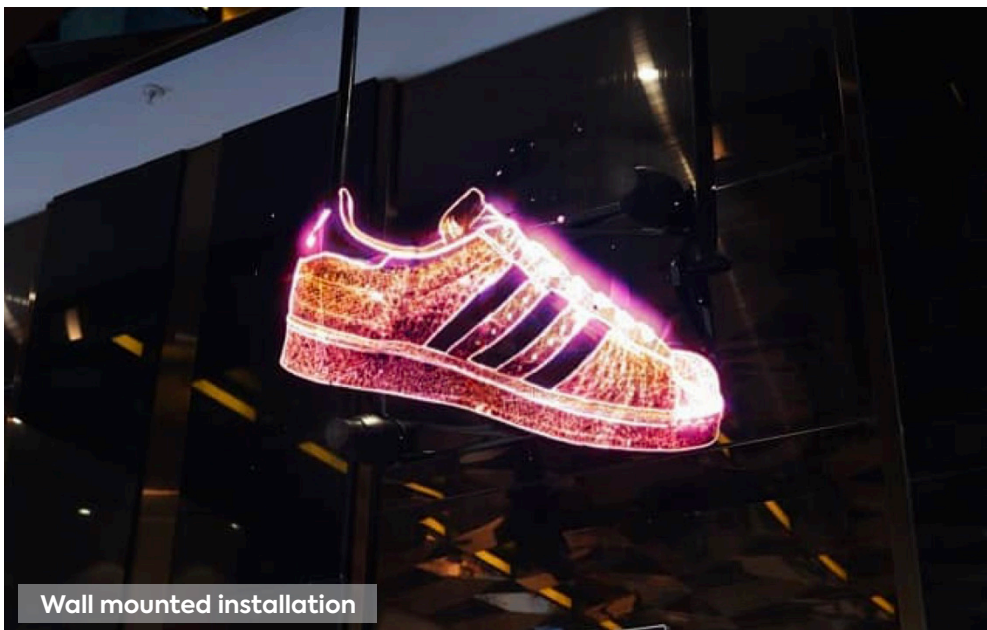
Cinemas

Airports

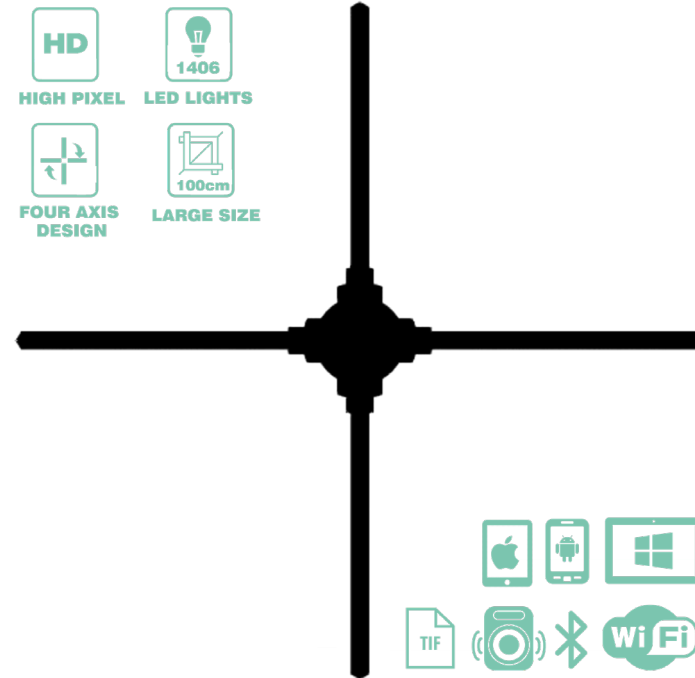
Train
Stations



On a stand with optional protective cover



Wall mounted installation



- ◊ **Image Size:** 100cm
- ◊ **Blades:** Double (4)
- ◊ **LED Quantity:** 1406
- ◊ **Resolution:** 1408 x 1408 (HD)
- ◊ **RPM:** 600-650
- ◊ **Bluetooth Speakers Support:** Available as an option
- ◊ **Content Uploading:** TIF card (32GB) or via Wi Fi
- ◊ **O.S Support:** IOS, Android, Windows
- ◊ **Life Time of LED Leads:** 100,000 Hours
- ◊ **Content Format Support:** MP4,JPEG,JPG,GIF,AVI,RMVB,PNG,MKV,WMV,MOV,FLV
- ◊ **Motion Detection:** Available as an option and minimum order

Extras



Content Creation

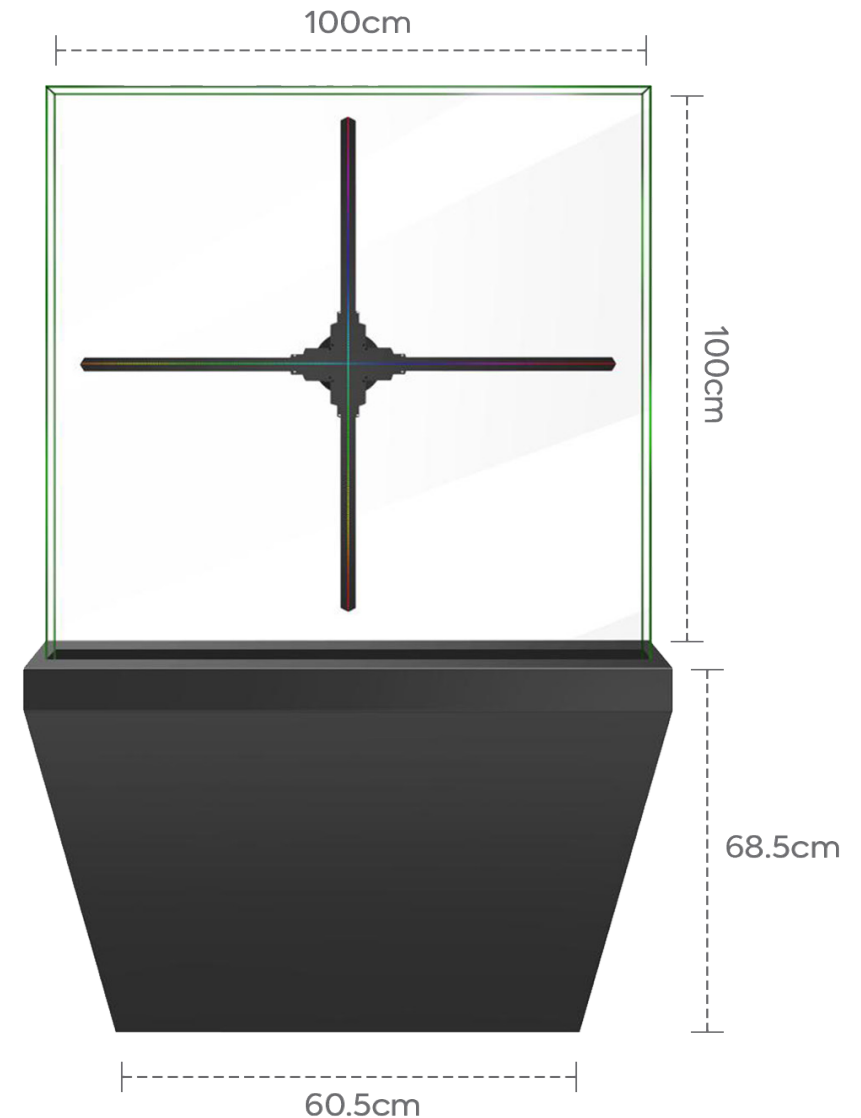
The video content of the 3D Holographic Fan LED Display is created by professional 3D artists or video editors. Our designers can help you to achieve the desired 3D effect.

We have been creating 2D and 3D holographic video content for many years and are fully capable to create any 3D animation for the 3D hologram LED fan. Content can be anything from a Logo animation, buzz words, buzz sentences, to a full detailed spinning 3D model such as car parts coming together to form a car and then seeing the car rotate around in a three-dimensional space. The LED Hologram fans allow us to create a detailed playlist consisting of many of your hologram videos, so we can loop a particular video many times or play many different videos one after each other.

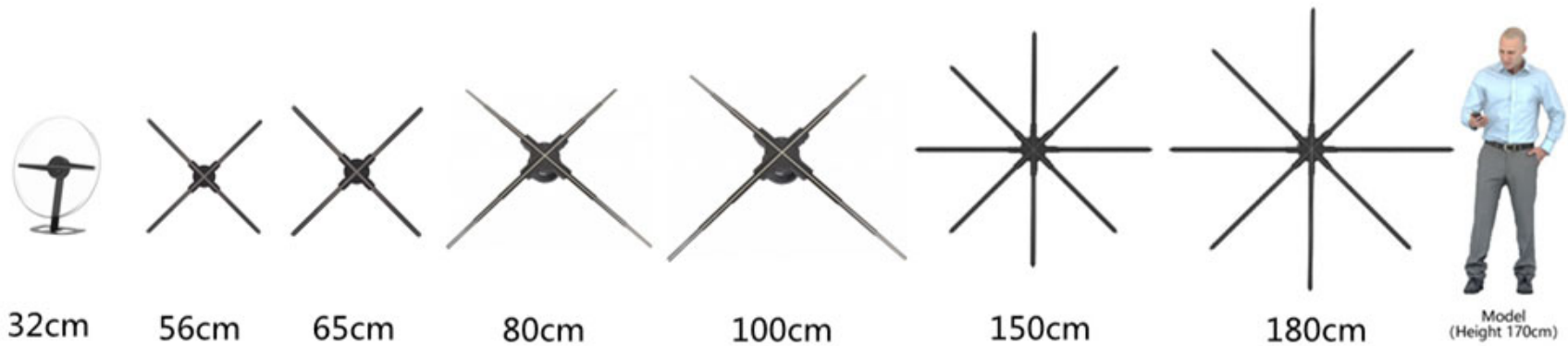
Device Control

This hologram device comes with smartphone application and cloud control. It allows you to remotely monitor your device. We can help you download the smartphone application. Several applications are available for iOS, Android, Mac and PC. As far as cloud control is concerned, application or web browser can be used. The smartphone application includes a range of features like

- Start/stop fan rotation
- Multiple fan synchronization
- Add or delete content from the hologram
- Playlist configuration

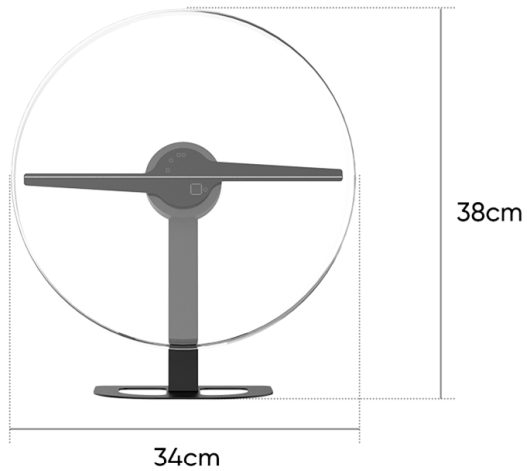


3D Hologram Display



Mini 3D Hologram Display

- ◆ Desktop
- ◆ Plastic Cover

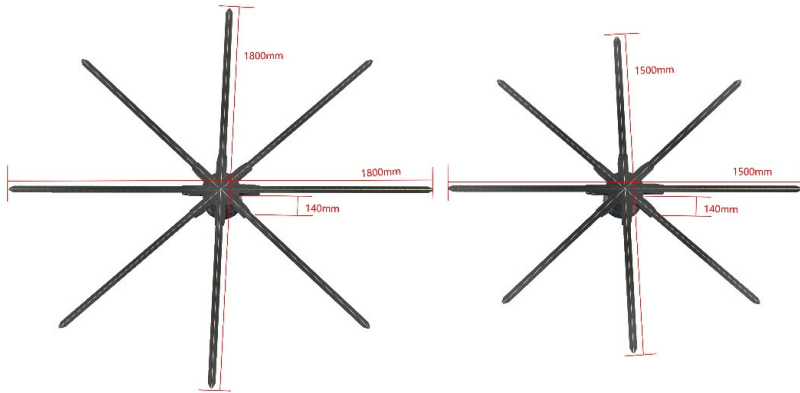
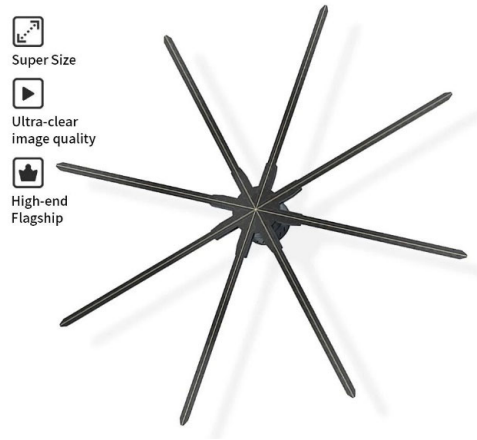
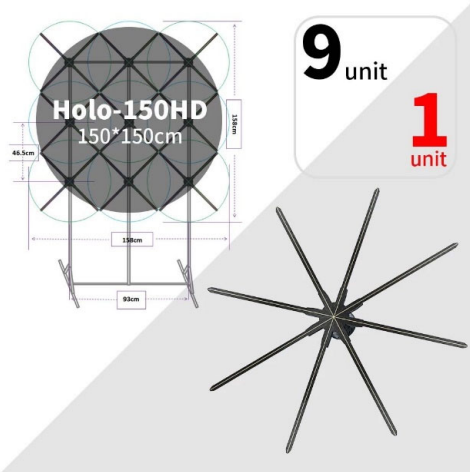


Specification

| Model No | VD-F32D |
|---------------|---------------------------------|
| LEDs | 224pcs |
| Resolution | 1400*224 |
| Input Power | AC100--240V, 50--60Hz, DC12V/3A |
| Upload Method | WIFI APP & TF card |
| File Format | MP4/JPG/MOV |
| View Angle | 176° |
| Size | 380*340*120mm |
| Weight | 0.5Kg |

Biggest Sizes 3D Hologram Display

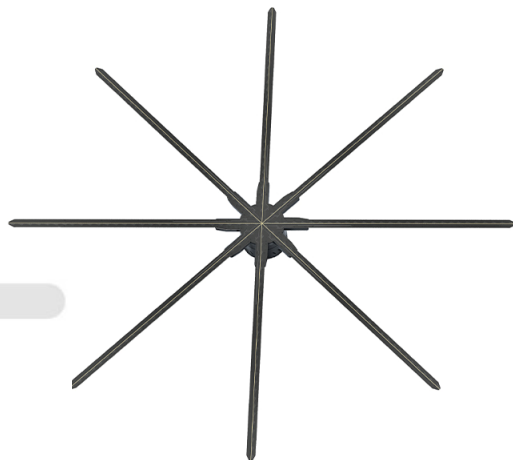
- ◆ 8 Blades
- ◆ World's biggest sizes
- ◆ Sync Holowall
- ◆ Cloud Management



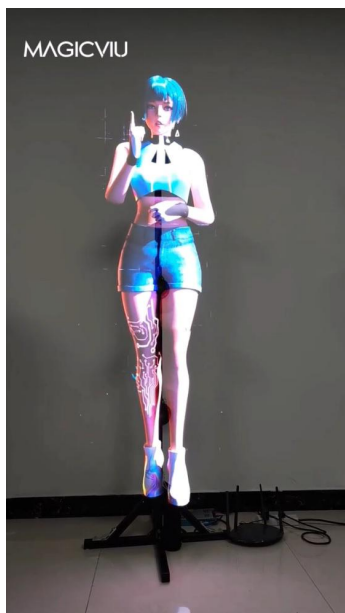
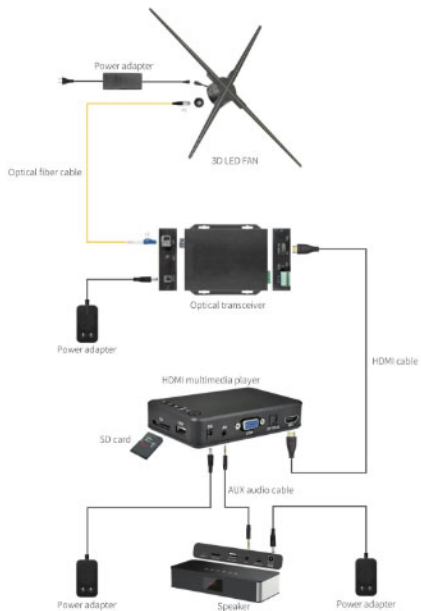
Specification

| Model No | VD-HOLO-150HD | VD-HOLO-180HD |
|-----------------------|-------------------------------|-------------------------------|
| Product size | 1500*1500*140mm | 1800*1800*140mm |
| Display size | 150*150cm | 180*180cm |
| Resolution | 2048*2880dpi | 2048*2512dpi |
| LEDs | 8*360pcs | 8*314pcs (Big LEDs) |
| Viewing angle | 170° | 170° |
| Rated power | 320W | 400W |
| Rotating speed | 350r/min | 350r/min |
| Adapter input voltage | AC100~240V 50/60Hz | AC100~240V 50/60Hz |
| Product input voltage | 24V | 24V |
| Remote controller | Multi-function | Multi-function |
| Storage | 16GB | 16GB |
| File Format | MP4, AVI, RMVB, JPG | MP4, AVI, RMVB, JPG |
| Upload method | WiFi APP/Cloud/Web | WiFi APP/Cloud/Web |
| Software system | Android/iOS Mobile/Windows PC | Android/iOS Mobile/Windows PC |
| Upload software | APP and PC software | APP and PC software |
| Bluetooth for Audio | Support | Support |
| Sync HOLOWall | Support | Support |
| Test Mode | Support | Support |
| Brightness Adjust | Support | Support |
| Angle Adjust | Support | Support |
| Timing Function | √ (Network version) | √ (Network version) |
| Material | ABS+PC/Aluminum | ABS+PC/Aluminum |
| Lifespan | 20000hrs | 20000hrs |
| Warranty | 12 months | 12 months |

HDMI Input 3D Hologram Display



HDMI Device Connection Diagram



Specification

| Model No | VD-HOLO-100HDMI | VD-HOLO-150HDMI | VD-HOLO-180HDMI |
|-----------------------|--------------------|--------------------|---------------------|
| Product size | 100*100*77mm | 1500*1500*140mm | 1800*1800*140mm |
| Display size | 100*100cm | 150*150cm | 180*180cm |
| Resolution | 2048*1440dpi | 2048*2880dpi | 2048*2512dpi |
| LEDs | 4*360pcs | 8*360pcs | 8*314pcs (Big LEDs) |
| Viewing angle | 170° | 170° | 170° |
| Rated power | 150W | 320W | 400W |
| Rotating speed | 700r/min | 350r/min | 350r/min |
| Adapter input voltage | AC100~240V 50/60Hz | AC100~240V 50/60Hz | AC100~240V 50/60Hz |
| Product input voltage | 24V | 24V | 24V |
| Video Input | HDMI | HDMI | HDMI |
| Material | ABS+PC/Aluminum | ABS+PC/Aluminum | ABS+PC/Aluminum |
| Lifespan | 20000hrs | 20000hrs | 20000hrs |
| Warranty | 12 months | 12 months | 12 months |



www.v-studio.co
info@v-studio.co

Tel: +966 12 206 8155
54 993 3387